

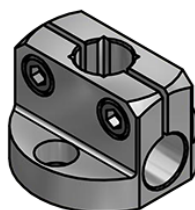
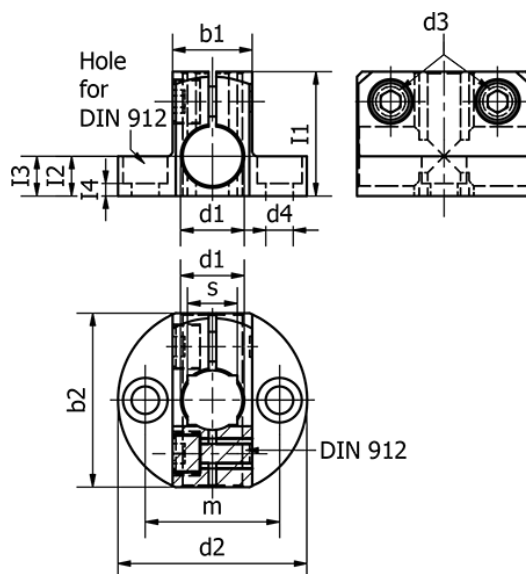
Data Sheet



Article number: 20473B16MT

Description: E+G Foot clamp mounting - GN 473-B16-MT

Measures



b1	= 20	l2	= 10
b2	= 41	l3	= 10
Clamping kit for d3	= GN 511-M6-20	l4	= 4
d1	= B16	m	= 32
d2	= 45	s	= -
d3	= M6	Weight (g)	= 57
d4	= M6		
l1	= 31		